



- Self-cleaning
- High spray dwell time
- Identical to Tornado & Typhoon for maintenance purposes

Approx. cycle times

| Pressure | Nozzles Ø 7 mm | Nozzles Ø 8 mm |
|----------|----------------|----------------|
| 4 bar | 9 min 45 s | 8 min |
| 6 bar | 7 min 45 s | 6 min 30 s |
| 8 bar | 6 min 45 s | 5 min 30 s |
| 10 bar | 5 min 45 s | 5 min |

Recommended

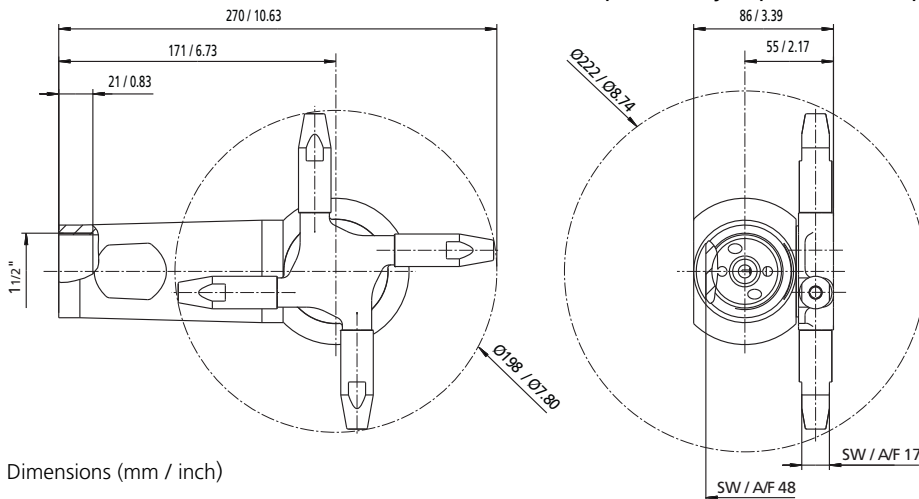
| | |
|------------------------------|---|
| working pressure: | 4 - 10 bar (58 - 145 psi) |
| Cleaning diameter: | max. 19 m (62 ft) |
| Flow rate: | 12 - 23.4 m ³ /h (200 - 390 l/min / 53 - 103 USgpm) |
| Spray angle: | 360° |
| Operating temperature: | max. 95 °C (203 °F) |
| Ambient temperature: | max. 140 °C (284 °F), 30 min |
| Insertion opening: | min. Ø 210 mm (8.27 inch) |
| Materials: | stainless steel 316L (1.4404), C-PTFE or PTFE, C-PEEK |
| Weight: | approx. 3.9 kg (8.6 lbs) |
| Preferred mounting position: | any |

Version 1

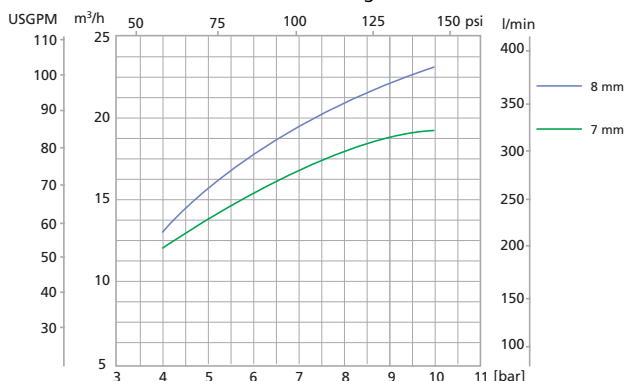
| | Part number |
|---|---------------|
| 1 1/2" BSP / 7 mm nozzles / C-PTFE ² | 4660-4968-117 |
| 1 1/2" BSP / 8 mm nozzles / C-PTFE ² | 4660-4968-118 |
| 1 1/2" BSP / 7 mm nozzles / PTFE | 4660-4968-119 |
| 1 1/2" BSP / 8 mm nozzles / PTFE | 4660-4968-120 |
| 1 1/2" NPT / 7 mm nozzles / C-PTFE ² | 4660-4968-121 |
| 1 1/2" NPT / 8 mm nozzles / C-PTFE ² | 4660-4968-122 |
| 1 1/2" NPT / 7 mm nozzles / PTFE | 4660-4968-123 |
| 1 1/2" NPT / 8 mm nozzles / PTFE | 4660-4968-124 |

¹ optional with Pin Fix connection

² suitable for use in potentially explosive atmospheres



Flow Rate versus Working Pressure



Cleaning / Wetting Diameter

